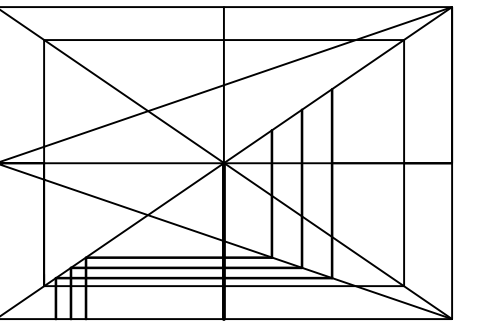
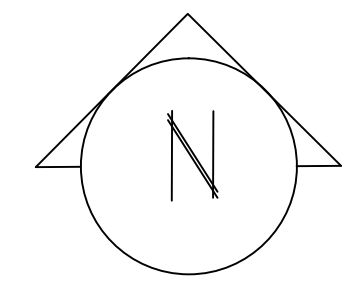


THIRD FLOOR PLAN



PROJECT:
BLANCHARD BLOCK
GRANITE CITY DEVELOPERS

JOB No. 12-11

TITLE:
THIRD FLOOR PLAN

SCALE:
1/4" = 1'-0"

ISSUE DATE
REVISIONS

SHEET No. A103

RCWA Robert Carl Williams Associates, PC
Architects & Planners www.rcwa.com t: 802.746.8917
PO Box 949, Pittsfield, Vermont 05762 f: 802.746.8903