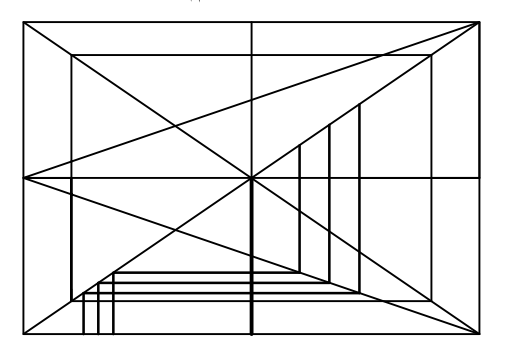
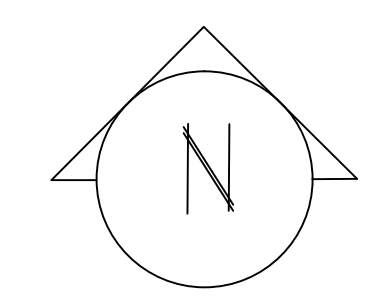


MAIN STREET FLOOR PLAN



RCWA Robert Carl Williams Associates, PC
 Architects & Planners www.rcwa.com t: 802.746.8917
 PO Box 949, Pittsfield, Vermont 05762 f: 802.746.8903

PROJECT:
 BLANCHARD BLOCK
 GRANITE CITY DEVELOPERS
 JOB No. 12-11

TITLE:
 MAIN STREET FLOOR PLAN
 SCALE: 1/4" = 1'-0"

ISSUE DATE
 REVISIONS

SHEET No. A101