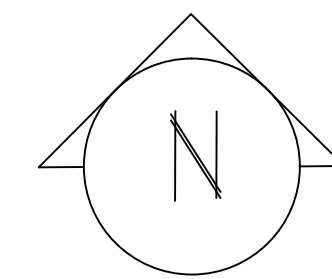


FOURTH FLOOR PLAN

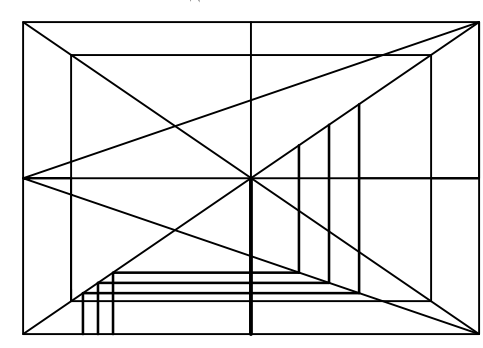


SHEET No. **A104**

ISSUE DATE
REVISIONS

TITLE:
FOURTH FLOOR PLAN
SCALE: 1/4" = 1'-0"

PROJECT:
**BLANCHARD BLOCK
GRANITE CITY DEVELOPERS**
JOB No. 12-11



RCWA Robert Carl Williams Associates, PC
Architects & Planners www.rcwa.com t: 802.746.8917
PO Box 949, Pittsfield, Vermont 05762 f: 802.746.8903